

## SBX1KL500-2500

SBX-1KL SERIES SHEAR BEAM LOAD CELLS, from 500kg to 2500kg



Stainless steel approved shear beam load cells, with low-power 1000 Ohm output resistance for mobile battery applications. Suitable for creating CE-M approved scales with 4 load cells, or for weighing tanks and hoppers, with the aid of its accessories.

---

**CAPACITIES (kg):** 500, 1000, 2000, 2500.

---

**OIML R60. C3** precision class.

---

**Stainless steel. IP68** protection.

---

Output Resistance **1000 Ohm**.

---

Working in cooperation with:

**CBH VAEGTE APS**

VONSILDVEJ 186 - 6000 - KOLDING - DENMARK  
Tel. 004575567310 Fax. 004575567320  
info@cbh-vaegte.dk

The best solution  
for advanced industrial  
applications

## MAIN FEATURES

- C3 PRECISION CLASS
- STAINLESS STEEL CONSTRUCTION WITH LASER WELDING
- IP68 PROTECTION, IP69K UPON REQUEST
- MAX. CAPACITIES FROM 500 TO 2500 kg
- SHIELDED CONNECTION CABLE
- TEST CERTIFICATE PROVIDED AS STANDARD

## TECHNICAL FEATURES

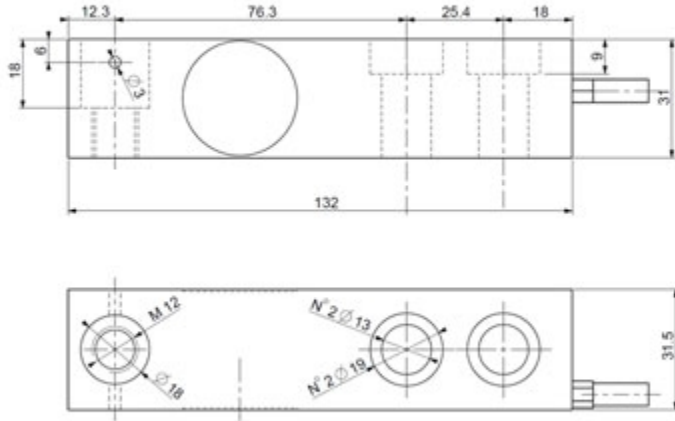
- Minimum load cell verification interval  $V_{min} = E_{Max} / 10.000$
- Maximum number of verification intervals  $n_{LC} = 3000$
- Combined error 0,017% of Full Scale Output (F.S.)
- Full Scale Output 2mV/V +/- 0.5%
- Temperature effect on zero 0,002% / °C
- Temperature effect on full scale output 0,002% / °C
- Compensated Temperature Range -10°C/+50°C
- Operating Temperature Range -20°C/+60°C
- Creep error after 30 minutes 0,02% F.S.
- Maximum tolerated excitation voltage 15 VDC
- Input Resistance  $1100 \pm 20$  Ohm
- Output Resistance  $1000 \pm 20$  Ohm
- Insulation Resistance >5000 MOhm
- Safe Overload 120% F.S.
- Ultimate Overload 300% F.S.
- 6-wire shielded cable, 5m long, 5 mm diameter

## ATEX VERSION

- The CCATEX certificate makes the load cell suitable for use in hazardous areas with protection methods according to:  
ATEX II 1G Ex ia IIC T6 (Ta -20÷+40°C) TX (Ta -20÷+65°C) Ga  
ATEX II 1D Ex ta IIIC TX°C (Ta -20÷+40°C) TX°C (Ta -20÷+65°C) Da IP65.  
The certificate includes the manual and the ATEX CE conformity declaration (available in EN, DE, FR, and IT).
- **IMPORTANT:** the certificate refers to the single load cell. For systems with more load cells, it is necessary to order one certificate for each load cell.

## DIMENSIONS - DECODING STANDARD CABLE

- NOTE: dimensions in mm



- Decoding of the standard cable colours

Colour	Function
--	SHIELD
YELLOW	OUTPUT +
GREY	SENSE +
BROWN	INPUT +
WHITE	OUTPUT -
GREEN	INPUT -
PINK	SENSE -

## MAIN CERTIFICATIONS

- OIML R60
- Australian legal for trade certificate of approval (NMI S841)

## VERSIONS

### Available versions

Codice		Max (kg)
SBX500-1KL		500
SBX1000-1KL		1000
SBX2000-1KL		2000
SBX2500-1KL		2500



www.diniargeo.com

“YOUR WORLDWIDE PARTNER FOR WEIGHING,”

DINI ARGEO  
FRANCE sarl  
France

DINI ARGEO  
GMBH  
Germany

DINI ARGEO  
UK Ltd  
United Kingdom

DINI ARGEO WEIGHING  
INSTRUMENTS Ltd  
China

DINI ARGEO  
OCEANIA  
Australia



**COMPANY HEADQUARTERS**

Via Della Fisica, 20  
41042 Spezzano di Fiorano - Modena - Italy  
Tel. +39.0536 843418

**CBH VAEGTE APS**

VONSILDVEJ 186 - 6000 - KOLDING - DENMARK

Tel. 004575567310 Fax. 004575567320

info@cbh-vaegte.dk

SALES AND TECHNICAL ASSISTANCE SERVICE